

feather&black

Perfect Bedtimes

Noah Desk Top Storage

IMPORTANT READ CAREFULLY RETAIN FOR FUTURE REFERENCE

Thank you for buying the Noah Desk Top Storage

- Please take a few quiet minutes to read these instructions
- This product contains small parts, keep small children clear of the assembly area

PRODUCT SAFETY

- All assembly fastenings should always be tightened properly and care should be taken that no fittings are loose
- Periodically check and ensure that all components are in their proper position, free from damage, and that all connectors are tight

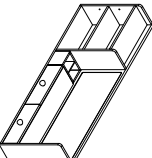
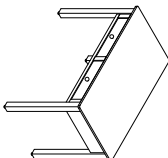



PRODUCT CARE

- Wipe clean using a soft damp cloth followed by dry cloth
- Do not use abrasives or cleaning products which may contain ammonia or solvents
- Take care when handling or moving the furniture. Careless handling can damage wooden furniture, try to lift rather than drag

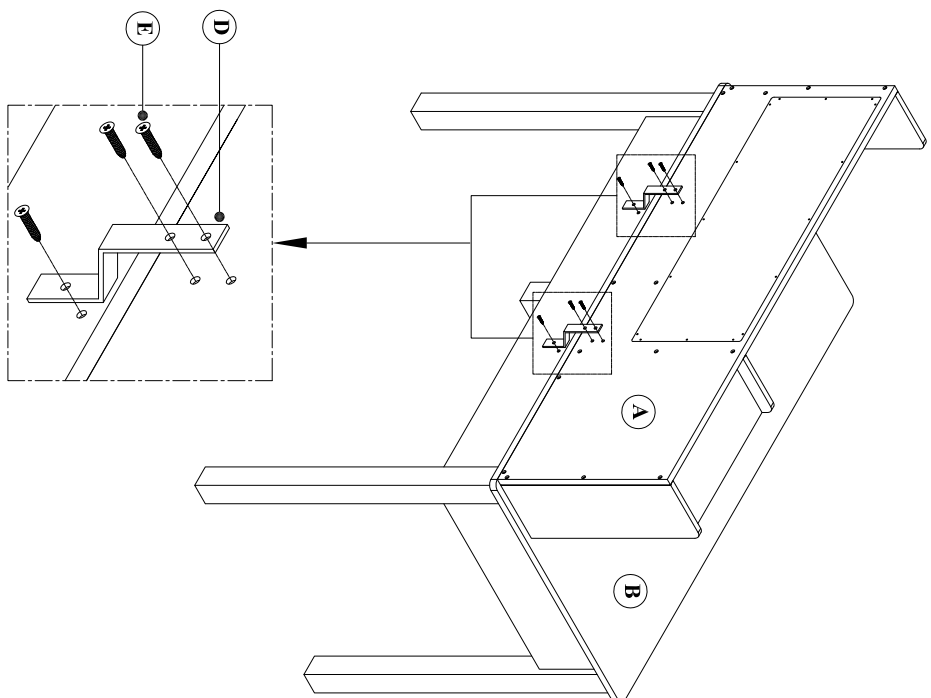
TOOLS REQUIRED

- Please use Philips Head Screwdriver (not included) to assemble the Noah Desk Top Storage



	PARTS	QTY
A		1PC
B		1PC
C		1PC
D		2PCS
E		6PCS

1



2

